

MIST

1224TT

LARGE WALL MOUNT LANTERN

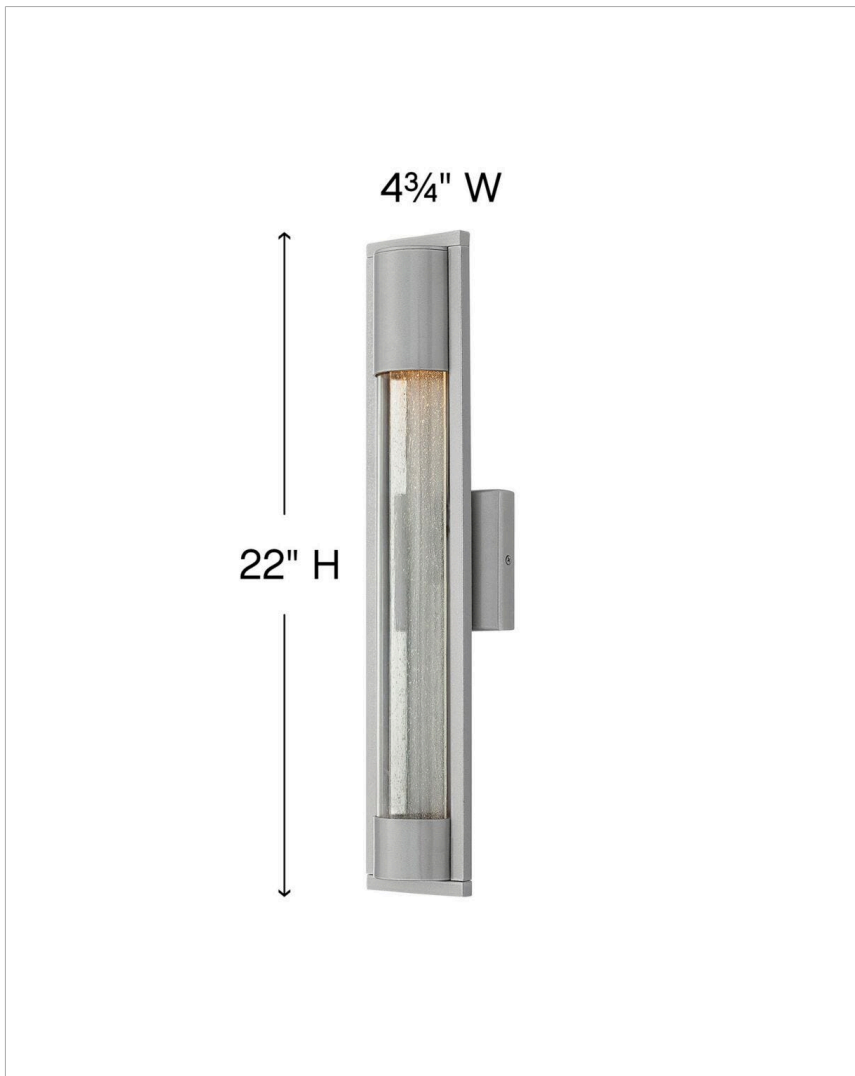
The sleek design of the Mist collection discreetly emphasizes its contemporary heritage, featuring a prominent interior panel of clear seedy glass captured on both ends and encased in a protective clear acrylic cylinder. Its solid aluminum construction is underscored by bold Satin Black and Bronze finish options. Mist is both Dark Sky and ADA compliant.

DETAILS	
FINISH:	Titanium
MATERIAL:	Aluminum
GLASS:	Clear Acrylic Outside Cylinder & Seedy Glass Inside Panel
DIMMABLE:	No

DIMENSIONS	
WIDTH:	4.8"
HEIGHT:	22"
WEIGHT:	5lb
BACK PLATE:	4.75" Sq.
EXTENSION:	4"
TOP TO OUTLET:	11.000000"

LIGHT SOURCE	
LIGHT SOURCE:	Socketed
VOLTAGE:	120v

SHIPPING	
CARTON LENGTH:	8
CARTON WIDTH:	8
CARTON HEIGHT:	26
CARTON WEIGHT:	6



PRODUCT DETAILS:

- Mounting hardware is hidden on the back plate to ensure a clean silhouette
- Suitable for use in wet (outdoor direct rain) locations as defined by NEC and CEC. Meets United States UL Underwriters Laboratories & CSA Canadian Standards Association Product Safety Standards
- Fixture is Dark Sky compliant and engineered to minimize light glare upward into the night sky
- ADA compliant
- 2-year finish warranty
- For LED lamping, a 6.5w GU10 LED bulb is recommended: GU10LED-3K
- Bold lines and a clean, minimalist style complement contemporary architecture

HINKLEY

HINKLEY
33000 Pin Oak Parkway
Avon Lake, OH 44012

PHONE: (440) 653-5500
Toll Free: 1 (800) 446-5539

hinkley.com