

VAPOR

2850TT

MEDIUM WALL MOUNT LANTERN

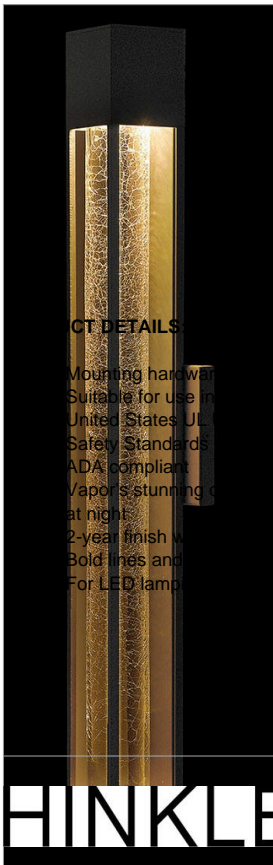
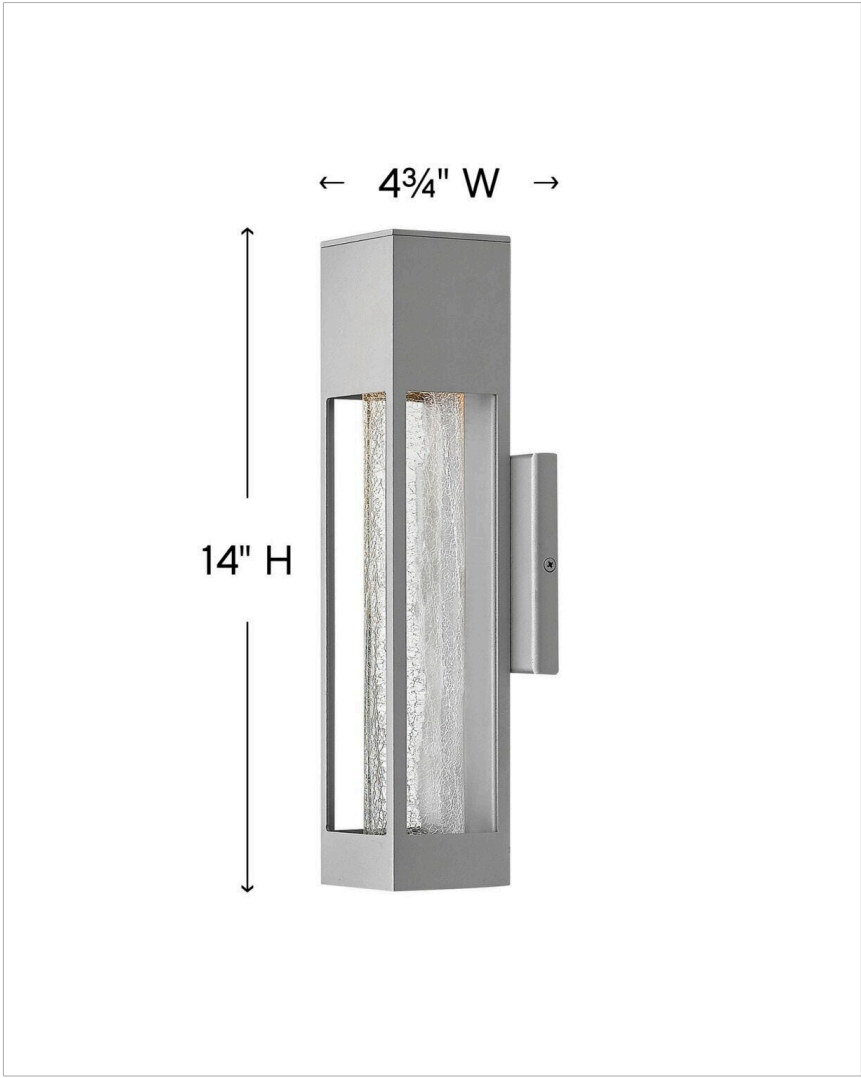
Vapor's streamlined profile allows the spectacular crackled glass to star in this captivating design. The low-profile backplate and stamped metal construction project a sleek, contemporary style statement.

DETAILS	
FINISH:	Titanium
MATERIAL:	Aluminum
GLASS:	Crackle
DIMMABLE:	YES - CL TYPE DIMMER (SSL7A)

DIMENSIONS	
WIDTH:	4.8"
HEIGHT:	14"
WEIGHT:	3lb
BACK PLATE:	4.75" Sq.
EXTENSION:	3.8"
TOP TO OUTLET:	7.250000"

LIGHT SOURCE	
LIGHT SOURCE:	Socketed
LED NAME:	GU10LED-6.5
VOLTAGE:	120v
COLOR TEMP:	2700
CRI:	80
DIMMABLE:	YES - CL TYPE DIMMER (SSL7A)

SHIPPING	
CARTON LENGTH:	10
CARTON WIDTH:	7.5
CARTON HEIGHT:	17.5
CARTON WEIGHT:	4



DESIGN NOTE
 Vapor's crackled glass pattern is even more decorative in the dark, creating added interest at night.

PRODUCT DETAILS

Mounting hardware is included on the back plate to ensure a clean silhouette. Suitable for use in (not for outdoor direct rain) locations as defined by NEC and CEC. Meets United States UL Listing Requirements, ETL Listed by Intertek, Inc., UL Classified by Underwriters Laboratories & CSA Canadian Standards Association Product Safety Standards. Meets ADA compliance requirements. Vapor's stunning crackle glass casts spectacular light patterns, adding dramatic visual interest at night. The 2-year finish warranty is a testament to the quality of the design. Bold lines and minimalist style complement contemporary architecture. For LED lamp use, a GU10 LED bulb is recommended: GU10LED-3K.



HINKLEY
 33000 Pin Oak Parkway
 Avon Lake, OH 44012

PHONE: (440) 653-5500
 Toll Free: 1 (800) 446-5539

hinkley.com