

GLADIATOR ILLUMINATED

900460FMM-LID

GLADIATOR ILLUMINATED 60" LED FAN

DETAILS	
FAN FINISH:	Metallic Matte Bronze
GLASS:	White Linen
BLADE COUNT:	5
SLOPE DEGREE:	22

DIMENSIONS	
WIDTH:	60"
HEIGHT:	19.3"
WEIGHT:	29lb

LIGHT SOURCE	
LED NAME:	(3) E900460LED
VOLTAGE:	120v
LUMENS:	2430
CRI:	90
INCANDESCENT EQUIVALENCY:	3 x 60w

MOUNTING	
CANOPY:	6" Dia.
LEAD WIRE:	1 X 76"

SHIPPING	
CARTON LENGTH:	29.5
CARTON WIDTH:	17
CARTON HEIGHT:	11
CARTON WEIGHT:	26.5

With the greatest combination of power, versatility and technology, Gladiator has it all. Its LED bulbs and DC motor technology deliver excellent energy efficiency. Gladiator comes in all of Hinkley's best finishes with reversible blades, maximizing design choices for almost any interior space. Blades are included with every fan.

PRODUCT DETAILS:

- Suitable for use in dry (indoor) locations as defined by NEC and CEC. Meets United States UL Underwriters Laboratories & CSA Canadian Standards Association Product Safety Standards.
- Classic, elegant lines and timeless details enhance a traditional space
- This item includes a 4.5" down rod. Other various lengths of down rods are available and sold separately to customize the installation height.
- Pull chain manual reverse, accessory controls available
- For more information on how to control your ceiling fan via the Hinkley Home Automation App, [click here](#).
- This item may be hung on a sloped ceiling
- LED bulbs carry a 3-year limited warranty
- Accessory controls available that are compatible with your WiFi for the ultimate Smart Home connectivity

HINKLEY

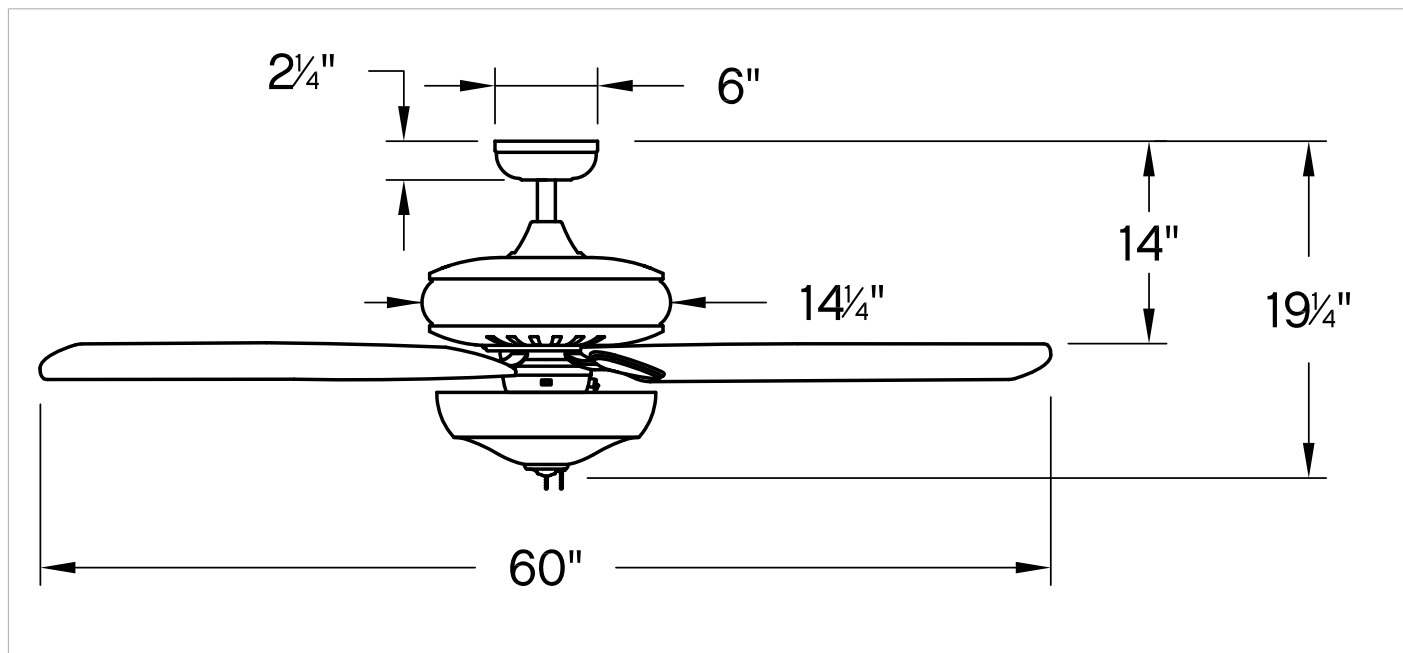
HINKLEY
33000 Pin Oak Parkway
Avon Lake, OH 44012

PHONE: (440) 653-5500
Toll Free: 1 (800) 446-5539

hinkley.com

GLADIATOR ILLUMINATED 60" LED FAN

900460FMM-LID



PERFORMANCE SPECIFICATIONS	STANDARD	
	HIGH SPEED	AVERAGE SPEED
Airflow	6118	4571
EnergyUse	31.3	20
EnergyCost	9	6
Efficiency	196	223
AMPS	0.41	0.26
RPMS	116	88

HINKLEY

HINKLEY
33000 Pin Oak Parkway
Avon Lake, OH 44012

PHONE: (440) 653-5500
Toll Free: 1 (800) 446-5539

hinkley.com