

GLADIATOR

900460FMM-NID

GLADIATOR 60" FAN

| DETAILS | |
|---------------|-----------------------|
| FAN FINISH: | Metallic Matte Bronze |
| BLADE COUNT: | 5 |
| SLOPE DEGREE: | 22 |

| DIMENSIONS | |
|------------|--------|
| WIDTH: | 60" |
| HEIGHT: | 16" |
| WEIGHT: | 24.5lb |

| LIGHT SOURCE | |
|--------------|------|
| VOLTAGE: | 120v |

| MOUNTING | |
|------------|---------|
| CANOPY: | 6" Dia. |
| LEAD WIRE: | 1 X 76" |

| SHIPPING | |
|----------------|------|
| CARTON LENGTH: | 29.5 |
| CARTON WIDTH: | 17 |
| CARTON HEIGHT: | 11 |
| CARTON WEIGHT: | 26.5 |

With the greatest combination of power, versatility and technology, Gladiator has it all. Its DC motor technology delivers excellent energy efficiency, and is available in all of Hinkley's best finishes with reversible blades, maximizing design choices for almost any interior space. Blades are included with every fan.

PRODUCT DETAILS:

- Suitable for use in dry (indoor) locations as defined by NEC and CEC. Meets United States UL Underwriters Laboratories & CSA Canadian Standards Association Product Safety Standards.
- Classic, elegant lines and timeless details enhance a traditional space
- This item includes a 4.5" down rod. Other various lengths of down rods are available and sold separately to customize the installation height.
- Pull chain manual reverse, accessory controls available
- For more information on how to control your ceiling fan via the Hinkley Home Automation App, [click here](#).
- This item may be hung on a sloped ceiling
- Accessory controls available that are compatible with your WiFi for the ultimate Smart Home connectivity
- Reversible blades included

HINKLEY

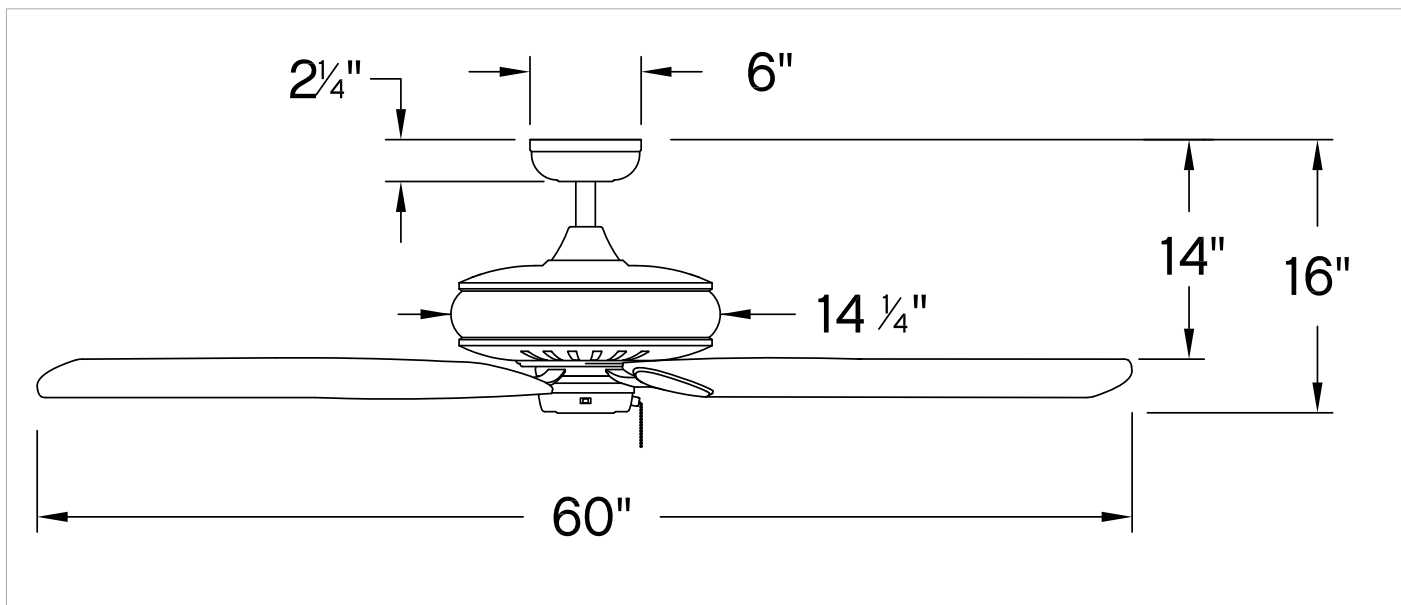
HINKLEY
33000 Pin Oak Parkway
Avon Lake, OH 44012

PHONE: (440) 653-5500
Toll Free: 1 (800) 446-5539

hinkley.com

GLADIATOR 60" FAN

900460FMM-NID



| PERFORMANCE SPECIFICATIONS | STANDARD | |
|----------------------------|------------|---------------|
| | HIGH SPEED | AVERAGE SPEED |
| Airflow | 6254 | 4670 |
| EnergyUse | 31.2 | 20 |
| EnergyCost | 9 | 6 |
| Efficiency | 200 | 231 |
| AMPS | 0.41 | 0.25 |
| RPMS | 116 | 86 |

HINKLEY

HINKLEY
33000 Pin Oak Parkway
Avon Lake, OH 44012

PHONE: (440) 653-5500
Toll Free: 1 (800) 446-5539

hinkley.com