

GRANDER

900660FGT-NID

GRANDER 60" FAN

DETAILS	
FAN FINISH:	Graphite
BLADE COUNT:	5
SLOPE DEGREE:	22

DIMENSIONS	
WIDTH:	60"
HEIGHT:	16"
WEIGHT:	23.3lb

LIGHT SOURCE	
VOLTAGE:	120v

MOUNTING	
CANOPY:	6" Dia.
LEAD WIRE:	1 X 76"

SHIPPING	
CARTON LENGTH:	17
CARTON WIDTH:	17
CARTON HEIGHT:	12
CARTON WEIGHT:	26



Grander is a perfect blend of modern and traditional elements, creating a silhouette that complements virtually any interior space. Available in an assortment of five stylish finishes with reversible blades, it features DC motor technology to deliver excellent energy efficiency. Blades are included with every fan.

PRODUCT DETAILS:

- Suitable for use in dry (indoor) locations as defined by NEC and CEC. Meets United States UL Underwriters Laboratories & CSA Canadian Standards Association Product Safety Standards.
- For more information on how to control your ceiling fan via the Hinkley Home Automation App, [click here](#).
- This item may be hung on a sloped ceiling
- Accessory controls available that are compatible with your WiFi for the ultimate Smart Home connectivity
- This item includes a 6" down rod. Other various lengths of down rods are available and sold separately to customize the installation height.
- Merging the best of traditional and modern elements with a sophisticated and streamlined look
- Fan Control included, Wall Control - 6 Speed Reversing
- Blades, controls, switches, capacitors and hardware carry a 1-year warranty

HINKLEY

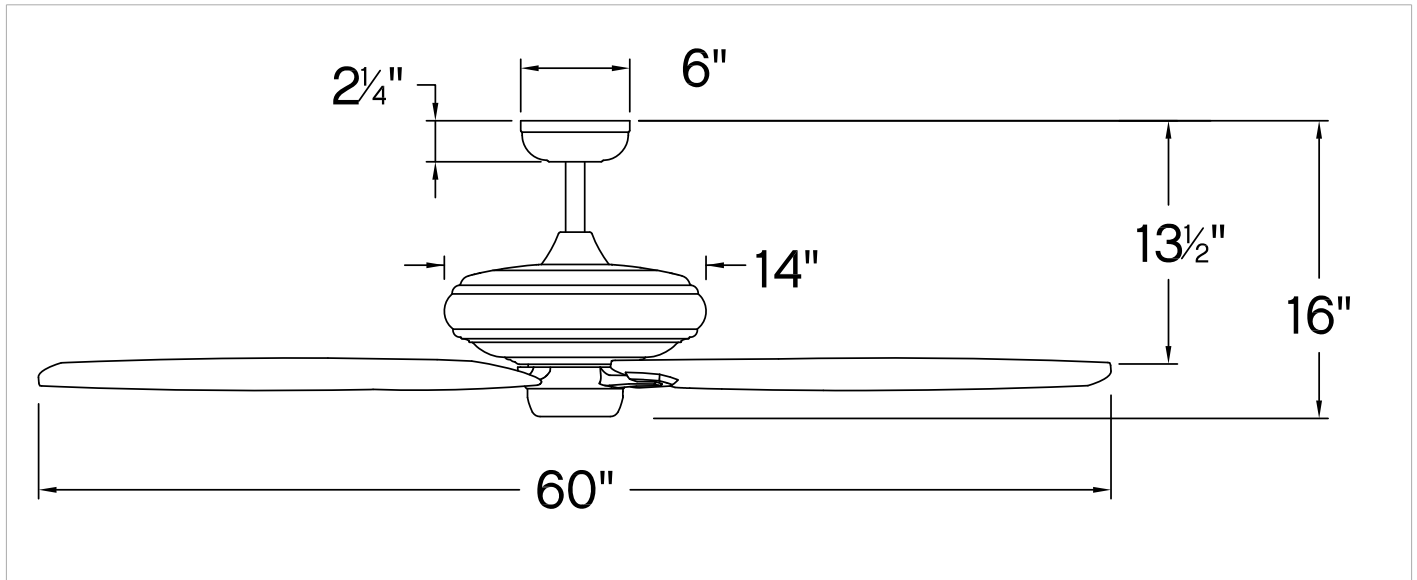
HINKLEY
33000 Pin Oak Parkway
Avon Lake, OH 44012

PHONE: (440) 653-5500
Toll Free: 1 (800) 446-5539

hinkley.com

GRANDER 60" FAN

900660FGT-NID



PERFORMANCE SPECIFICATIONS	STANDARD	
	HIGH SPEED	AVERAGE SPEED
Airflow	7823	5148
EnergyUse	31.1	19
EnergyCost	9	5
Efficiency	251	270
AMPS	0.44	0.25
RPMS	169	107