

GRANDER

900672FGT-NID

GRANDER 72" FAN

| DETAILS | |
|---------------|----------|
| FAN FINISH: | Graphite |
| BLADE COUNT: | 5 |
| SLOPE DEGREE: | 22 |

| DIMENSIONS | |
|------------|--------|
| WIDTH: | 72" |
| HEIGHT: | 16" |
| WEIGHT: | 24.5lb |

| LIGHT SOURCE | |
|--------------|------|
| VOLTAGE: | 120v |

| MOUNTING | |
|------------|---------|
| CANOPY: | 6" Dia. |
| LEAD WIRE: | 1 X 76" |

| SHIPPING | |
|----------------|----|
| CARTON LENGTH: | 17 |
| CARTON WIDTH: | 17 |
| CARTON HEIGHT: | 12 |
| CARTON WEIGHT: | 27 |

Grander is a perfect blend of modern and traditional elements, creating a silhouette that complements virtually any interior space. Available in an assortment of five stylish finishes with reversible blades, it features DC motor technology to deliver excellent energy efficiency. Blades are included with every fan.

PRODUCT DETAILS:

- Suitable for use in dry (indoor) locations as defined by NEC and CEC. Meets United States UL Underwriters Laboratories & CSA Canadian Standards Association Product Safety Standards.
- For more information on how to control your ceiling fan via the Hinkley Home Automation App, [click here](#).
- This item may be hung on a sloped ceiling
- Accessory controls available that are compatible with your WiFi for the ultimate Smart Home connectivity
- This item includes a 6" down rod. Other various lengths of down rods are available and sold separately to customize the installation height.
- Merging the best of traditional and modern elements with a sophisticated and streamlined look
- Fan Control included, Wall Control - 6 Speed Reversing
- Blades, controls, switches, capacitors and hardware carry a 1-year warranty

HINKLEY

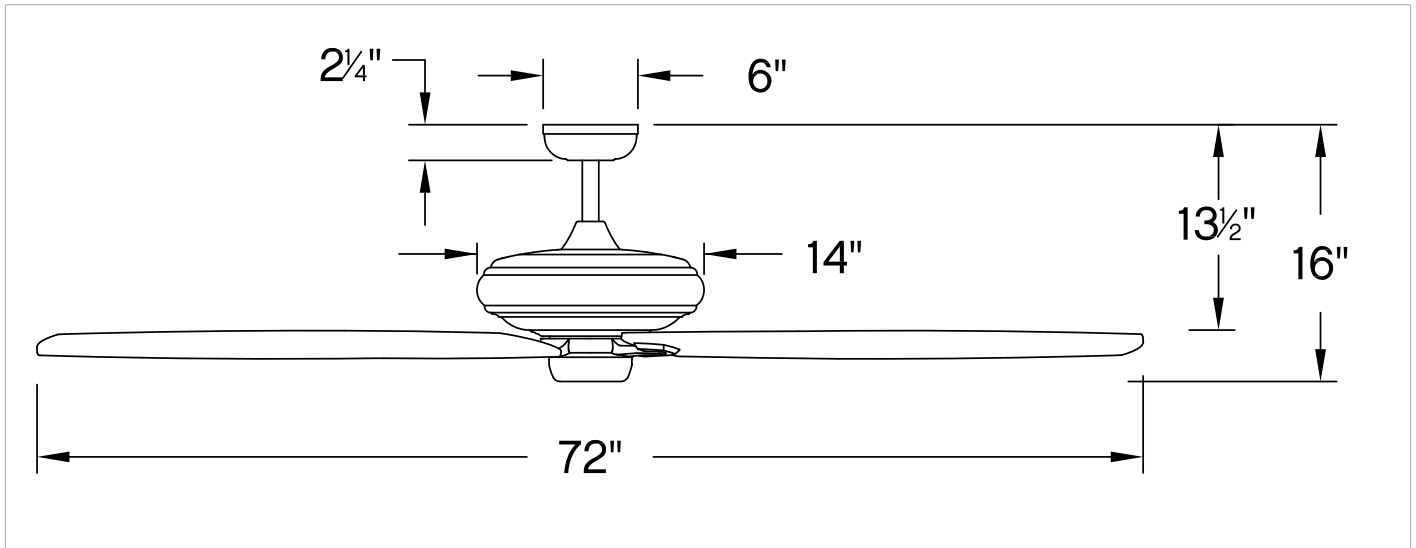
HINKLEY
33000 Pin Oak Parkway
Avon Lake, OH 44012

PHONE: (440) 653-5500
Toll Free: 1 (800) 446-5539

hinkley.com

GRANDER 72" FAN

900672FGT-NID



| PERFORMANCE SPECIFICATIONS | STANDARD | |
|----------------------------|------------|---------------|
| | HIGH SPEED | AVERAGE SPEED |
| Airflow | 8412 | 6037 |
| EnergyUse | 29.6 | 19 |
| EnergyCost | 8 | 5 |
| Efficiency | 284 | 324 |
| AMPS | 0.41 | 0.24 |
| RPMS | 115 | 80 |