

GRANDER

900672FPW-NID

GRANDER 72" FAN

DETAILS	
FAN FINISH:	Pewter
BLADE COUNT:	5
SLOPE DEGREE:	22

DIMENSIONS	
WIDTH:	72"
HEIGHT:	16"
WEIGHT:	24.5lb

LIGHT SOURCE	
VOLTAGE:	120v

MOUNTING	
CANOPY:	6" Dia.
LEAD WIRE:	1 X 76"

SHIPPING	
CARTON LENGTH:	17
CARTON WIDTH:	17
CARTON HEIGHT:	12
CARTON WEIGHT:	27



Grander is a perfect blend of modern and traditional elements, creating a silhouette that complements virtually any interior space. Available in an assortment of five stylish finishes with reversible blades, it features DC motor technology to deliver excellent energy efficiency. Blades are included with every fan.

PRODUCT DETAILS:

- Suitable for use in dry (indoor) locations as defined by NEC and CEC. Meets United States UL Underwriters Laboratories & CSA Canadian Standards Association Product Safety Standards.
- For more information on how to control your ceiling fan via the Hinkley Home Automation App, [click here](#).
- This item may be hung on a sloped ceiling
- Accessory controls available that are compatible with your WiFi for the ultimate Smart Home connectivity
- Reversible blades included
- This item includes a 6" down rod. Other various lengths of down rods are available and sold separately to customize the installation height.
- Merging the best of traditional and modern elements with a sophisticated and streamlined look
- Fan Control included, Wall Control - 6 Speed Reversing

HINKLEY

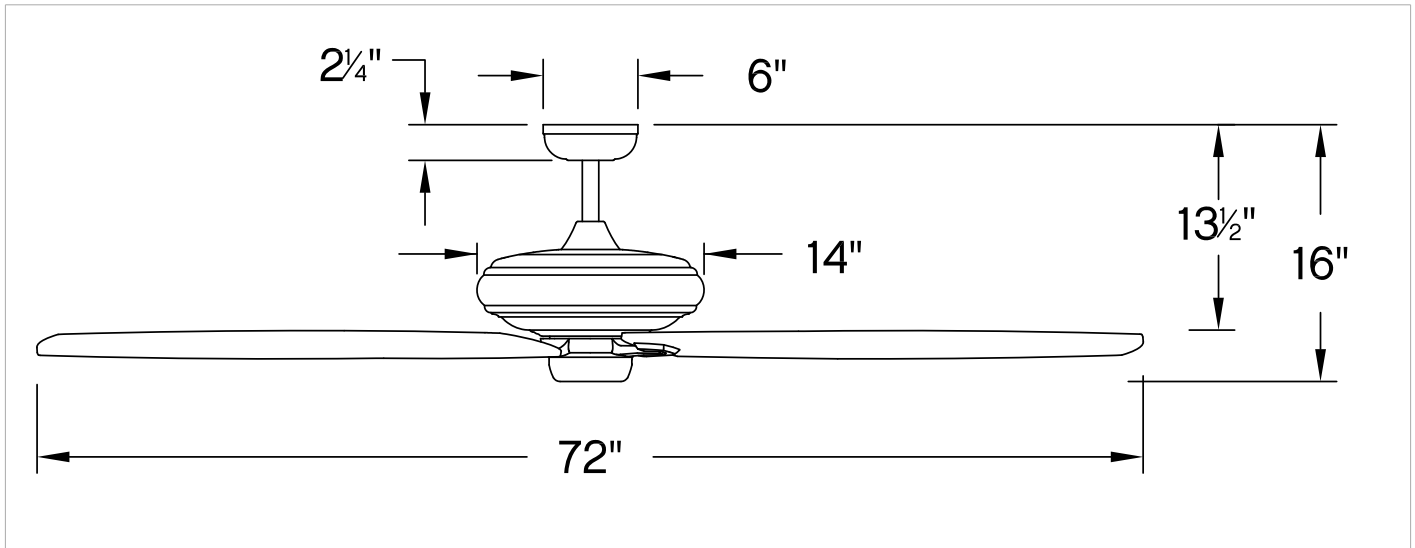
HINKLEY
33000 Pin Oak Parkway
Avon Lake, OH 44012

PHONE: (440) 653-5500
Toll Free: 1 (800) 446-5539

hinkley.com

GRANDER 72" FAN

900672FPW-NID



PERFORMANCE SPECIFICATIONS	STANDARD	
	HIGH SPEED	AVERAGE SPEED
Airflow	8412	6037
EnergyUse	29.6	19
EnergyCost	8	5
Efficiency	284	324
AMPS	0.41	0.24
RPMS	115	80

AVERAGE PERFORMANCE AND ENERGY INFORMATION

ENERGYGUIDE

Estimated Yearly Energy Cost

\$5

Cost Range of Similar Models (19" – 84")

\$3 | | | \$34

- Based on 12 cents per kWh and 6.4 hours use per day
- Your cost depends on rates and use
- Energy Use: 19 Watts

Airflow

6,037

Cubic Feet Per Minute

- The higher the airflow, the more air the fan will move
- Airflow Efficiency: 324 Cubic Feet Per Minute Per Watt

All estimates based on typical use, excluding lights ftc.gov/energy

Airflow Shown is a Weighted Average of High and Low Cubic Feet per Minute Based on Downrod

HINKLEY

HINKLEY
33000 Pin Oak Parkway
Avon Lake, OH 44012

PHONE: (440) 653-5500
Toll Free: 1 (800) 446-5539

hinkley.com