

LAFAYETTE

901152FMM-NID

LAFAYETTE 52" FAN

DETAILS	
FAN FINISH:	Metallic Matte Bronze
BLADE COUNT:	5
SLOPE DEGREE:	22

DIMENSIONS	
WIDTH:	52"
HEIGHT:	13.8"
WEIGHT:	16.3lb

LIGHT SOURCE	
VOLTAGE:	120v

MOUNTING	
CANOPY:	6" Dia.
LEAD WIRE:	1 X 76"

SHIPPING	
CARTON LENGTH:	22
CARTON WIDTH:	15
CARTON HEIGHT:	10
CARTON WEIGHT:	18.6



With an intricate filigree motor housing and decorative blades, Lafayette is a traditional beauty. Available in multiple finish options, Lafayette offers reversible blades for maximum versatility and comes equipped with DC motor technology to deliver excellent energy efficiency. Blades are included with every fan.

PRODUCT DETAILS:

- Suitable for use in dry (indoor) locations as defined by NEC and CEC. Meets United States UL Underwriters Laboratories & CSA Canadian Standards Association Product Safety Standards.
- Classic, elegant lines and timeless details enhance a traditional space
- This item includes a 4.5" down rod. Other various lengths of down rods are available and sold separately to customize the installation height.
- Add an optional light kit to customize the functionality of the fan
- Pull chain manual reverse, accessory controls available
- For more information on how to control your ceiling fan via the Hinkley Home Automation App, [click here](#).
- This item may be hung on a sloped ceiling
- Accessory controls available that are compatible with your WiFi for the ultimate Smart Home connectivity

HINKLEY

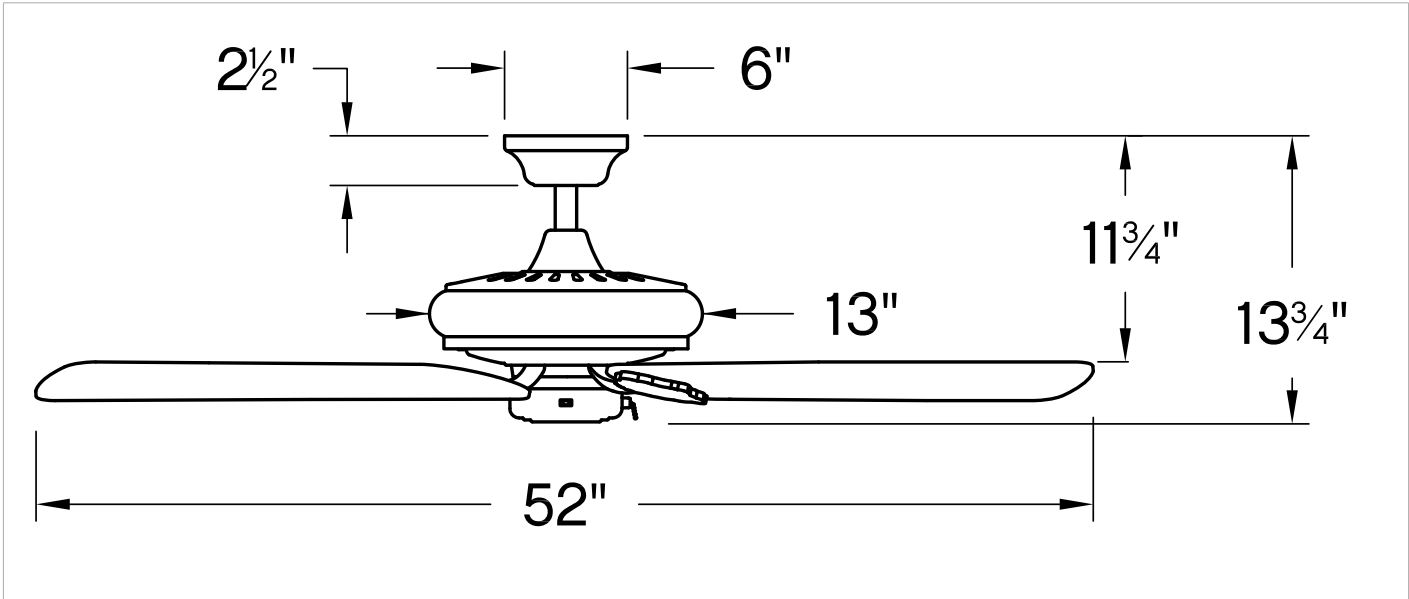
HINKLEY
33000 Pin Oak Parkway
Avon Lake, OH 44012

PHONE: (440) 653-5500
Toll Free: 1 (800) 446-5539

hinkley.com

LAFAYETTE 52" FAN

901152FMM-NID



PERFORMANCE SPECIFICATIONS	STANDARD	
	HIGH SPEED	AVERAGE SPEED
Airflow	5764	3862
EnergyUse	31	20
EnergyCost	9	6
Efficiency	186	195
AMPS	0.41	0.25
RPMS	166	110

AVERAGE PERFORMANCE AND ENERGY INFORMATION

ENERGYGUIDE

Estimated Yearly Energy Cost

\$6

Cost Range of Similar Models (19" – 84")

\$3 | | | \$34

• Based on 12 cents per kWh and 6.4 hours use per day
• Your cost depends on rates and use
• Energy Use: 20 Watts

Airflow

3,862

Cubic Feet Per Minute

• The higher the airflow, the more air the fan will move
• Airflow Efficiency: 195 Cubic Feet Per Minute Per Watt

All estimates based on typical use, excluding lights ftc.gov/energy

Airflow Shown is a Weighted Average of High and Low Cubic Feet per Minute Based on Downrod