

# GROVE

901256FBN-NID

GROVE 56" FAN



DETAILS	
FAN FINISH:	Brushed Nickel
BLADE COUNT:	5
SLOPE DEGREE:	22

DIMENSIONS	
WIDTH:	56"
HEIGHT:	14.5"
WEIGHT:	18.1lb

LIGHT SOURCE	
LED NAME:	(3) E901256LEDLMP
VOLTAGE:	120v
LUMENS:	1065
CRI:	90
INCANDESCENT EQUIVALENCY:	3 x 35w

MOUNTING	
CANOPY:	6" Dia.
LEAD WIRE:	1 X 76"

SHIPPING	
CARTON LENGTH:	16
CARTON WIDTH:	16
CARTON HEIGHT:	10.5
CARTON WEIGHT:	21.1

Illuminating with soft, diffused luminescence, Grove's built-in uplight feature visually expands any room with ambient light. Its transitional design complements a room's decor with its multiple finish options and reversible blades. Equipped with LED bulbs and DC motor technology, Grove delivers excellent energy efficiency. Blades are included with every fan.

## PRODUCT DETAILS:

- Suitable for use in dry (indoor) locations as defined by NEC and CEC. Meets United States UL Underwriters Laboratories & CSA Canadian Standards Association Product Safety Standards.
- Add an optional light kit to customize the functionality of the fan
- Pull chain manual reverse, accessory controls available
- Built-in uplight adds accent illumination to the ceiling
- For more information on how to control your ceiling fan via the Hinkley Home Automation App, [click here](#).
- This item may be hung on a sloped ceiling
- LED bulbs carry a 3-year limited warranty
- Accessory controls available that are compatible with your WiFi for the ultimate Smart Home connectivity

# HINKLEY

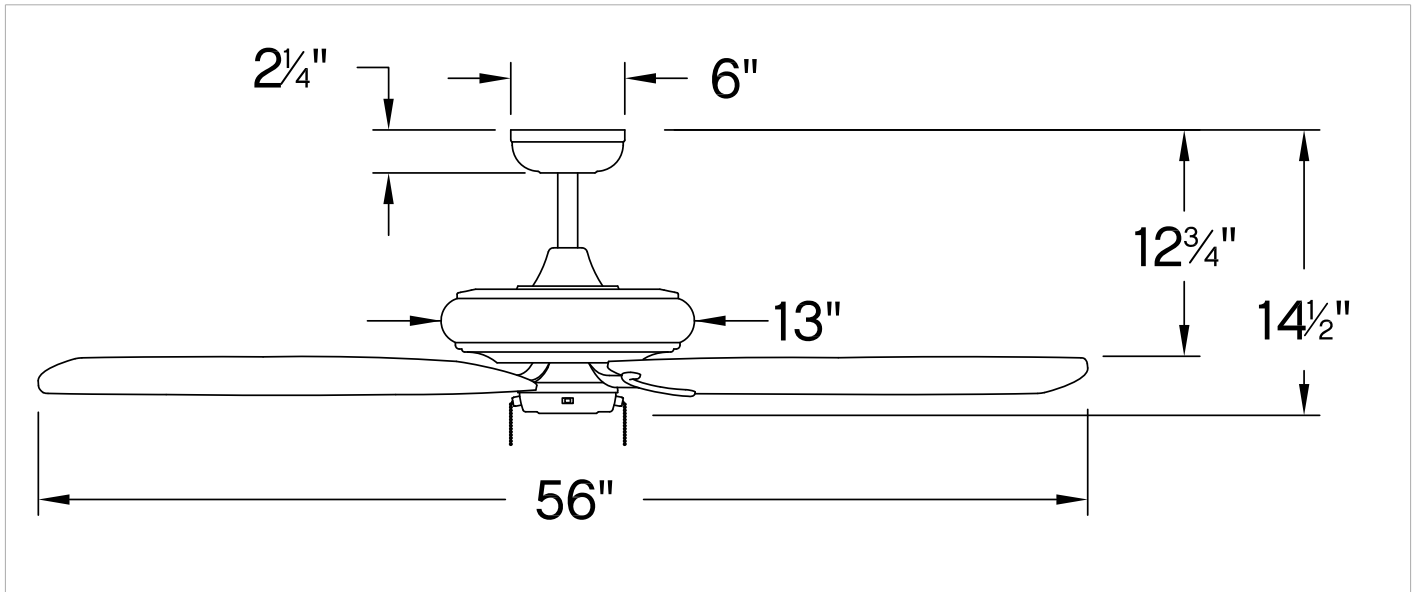
HINKLEY  
33000 Pin Oak Parkway  
Avon Lake, OH 44012

PHONE: (440) 653-5500  
Toll Free: 1 (800) 446-5539

[hinkley.com](http://hinkley.com)

# GROVE 56" FAN

901256FBN-NID



PERFORMANCE SPECIFICATIONS	STANDARD	
	HIGH SPEED	AVERAGE SPEED
Airflow	6296	4343
EnergyUse	32.6	21.8
EnergyCost	9	6
Efficiency	193	199
AMPS	0.43	0.26
RPMS	150	100

**AVERAGE PERFORMANCE AND ENERGY INFORMATION**

## ENERGYGUIDE

Estimated Yearly Energy Cost

# \$6

Cost Range of Similar Models (19" – 84")

\$3 | | | \$34

- Based on 12 cents per kWh and 6.4 hours use per day
- Your cost depends on rates and use
- Energy Use: 22 Watts

Airflow

# 4,343

Cubic Feet Per Minute

- The higher the airflow, the more air the fan will move
- Airflow Efficiency: 199 Cubic Feet Per Minute Per Watt

All estimates based on typical use, excluding lights [ftc.gov/energy](http://ftc.gov/energy)

Airflow Shown is a Weighted Average of High and Low Cubic Feet per Minute Based on Downrod

# HINKLEY

HINKLEY  
33000 Pin Oak Parkway  
Avon Lake, OH 44012

PHONE: (440) 653-5500  
Toll Free: 1 (800) 446-5539

[hinkley.com](http://hinkley.com)