

GROVE

901256FMM-NID

GROVE 56" FAN

DETAILS	
FAN FINISH:	Metallic Matte Bronze
BLADE COUNT:	5
SLOPE DEGREE:	22

DIMENSIONS	
WIDTH:	56"
HEIGHT:	14.5"
WEIGHT:	18.1lb

LIGHT SOURCE	
LED NAME:	(3) E901256LEDLMP
VOLTAGE:	120v
LUMENS:	1065
CRI:	90
INCANDESCENT EQUIVALENCY:	3 x 35w

MOUNTING	
CANOPY:	6" Dia.
LEAD WIRE:	1 X 76"

SHIPPING	
CARTON LENGTH:	16
CARTON WIDTH:	16
CARTON HEIGHT:	10.5
CARTON WEIGHT:	21.1

Illuminating with soft, diffused luminescence, Grove's built-in uplight feature visually expands any room with ambient light. Its transitional design complements a room's decor with its multiple finish options and reversible blades. Equipped with LED bulbs and DC motor technology, Grove delivers excellent energy efficiency. Blades are included with every fan.

PRODUCT DETAILS:

- Suitable for use in dry (indoor) locations as defined by NEC and CEC. Meets United States UL Underwriters Laboratories & CSA Canadian Standards Association Product Safety Standards.
- Add an optional light kit to customize the functionality of the fan
- Pull chain manual reverse, accessory controls available
- Built-in uplight adds accent illumination to the ceiling
- For more information on how to control your ceiling fan via the Hinkley Home Automation App, [click here](#).
- This item may be hung on a sloped ceiling
- LED bulbs carry a 3-year limited warranty
- Accessory controls available that are compatible with your WiFi for the ultimate Smart Home connectivity

HINKLEY

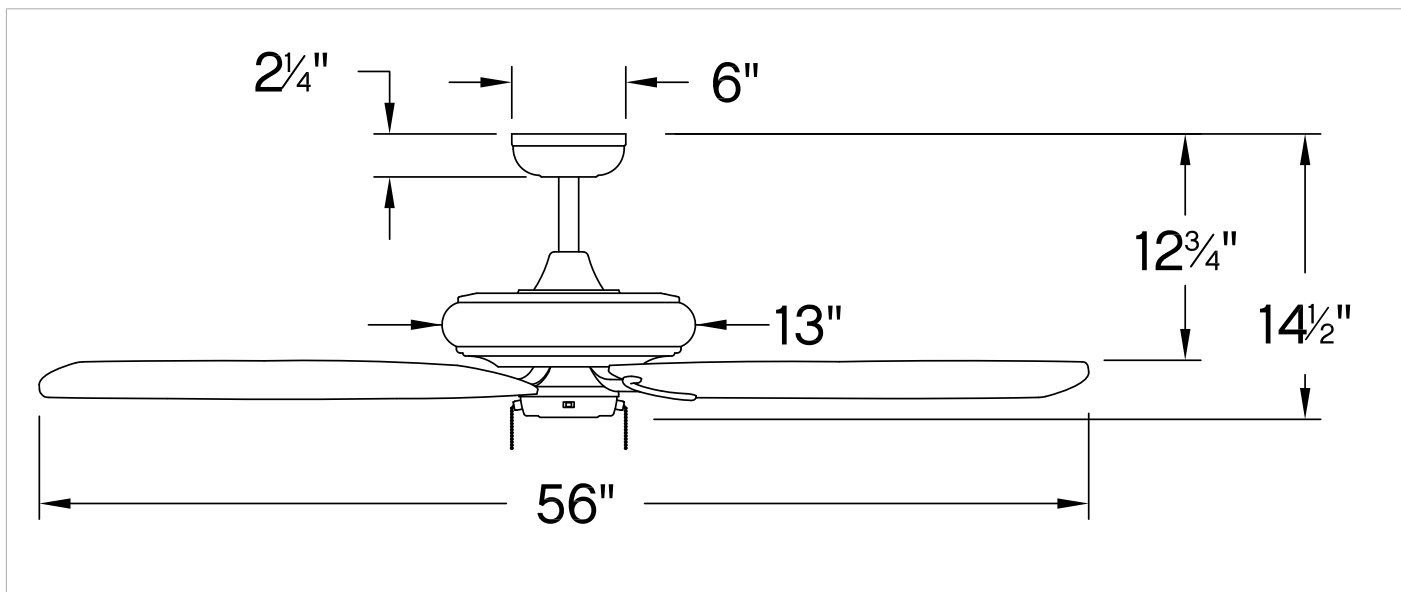
HINKLEY
33000 Pin Oak Parkway
Avon Lake, OH 44012

PHONE: (440) 653-5500
Toll Free: 1 (800) 446-5539

hinkley.com

GROVE 56" FAN

901256FMM-NID



PERFORMANCE SPECIFICATIONS	STANDARD	
	HIGH SPEED	AVERAGE SPEED
Airflow	6296	4343
EnergyUse	32.6	21.8
EnergyCost	9	6
Efficiency	193	199
AMPS	0.43	0.26
RPMS	150	100

HINKLEY

HINKLEY
33000 Pin Oak Parkway
Avon Lake, OH 44012

PHONE: (440) 653-5500
Toll Free: 1 (800) 446-5539

hinkley.com