

MARQUIS

901352FGT-NIA

MARQUIS 52" FAN

| DETAILS | |
|---------------|----------|
| FAN FINISH: | Graphite |
| BLADE COUNT: | 5 |
| SLOPE DEGREE: | 22 |

| DIMENSIONS | |
|------------|--------|
| WIDTH: | 52" |
| HEIGHT: | 13.3" |
| WEIGHT: | 18.9lb |

| LIGHT SOURCE | |
|--------------|------|
| VOLTAGE: | 120v |

| MOUNTING | |
|------------|---------|
| CANOPY: | 6" Dia. |
| LEAD WIRE: | 1 X 76" |

| SHIPPING | |
|----------------|------|
| CARTON LENGTH: | 21 |
| CARTON WIDTH: | 14 |
| CARTON HEIGHT: | 10 |
| CARTON WEIGHT: | 20.9 |



A timeless standout from the Regency Series, Marquis defines the simple-meets-stylish silhouette. Its traditional design is available in a wide variety of finishes to complement your interior spaces. Blades are included with every fan.

PRODUCT DETAILS:

- Suitable for use in dry (indoor) locations as defined by NEC and CEC. Meets United States UL Underwriters Laboratories & CSA Canadian Standards Association Product Safety Standards.
- Classic, elegant lines and timeless details enhance a traditional space
- This item includes a 4.5" down rod. Other various lengths of down rods are available and sold separately to customize the installation height.
- Add an optional light kit to customize the functionality of the fan
- Pull chain manual reverse, accessory controls available
- For more information on how to control your ceiling fan via the Hinkley Home Automation App, [click here](#).
- This item may be hung on a sloped ceiling
- Accessory controls available that are compatible with your WiFi for the ultimate Smart Home connectivity

HINKLEY

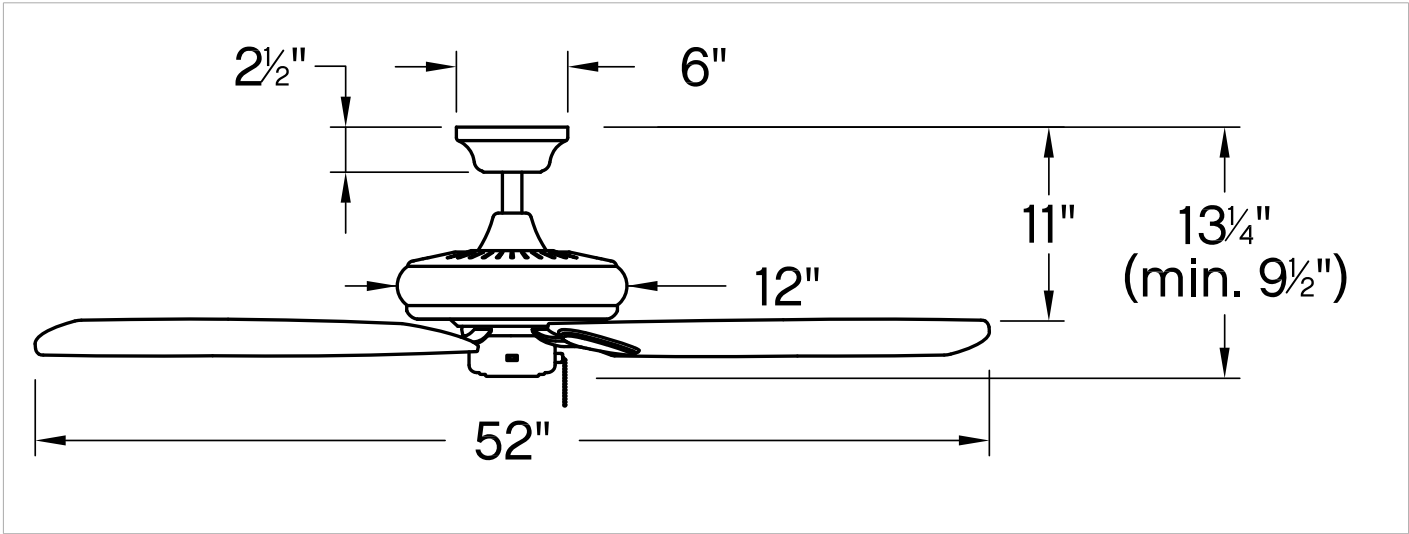
HINKLEY
33000 Pin Oak Parkway
Avon Lake, OH 44012

PHONE: (440) 653-5500
Toll Free: 1 (800) 446-5539

hinkley.com

MARQUIS 52" FAN

901352FGT-NIA



| PERFORMANCE SPECIFICATIONS | STANDARD | | DUAL MOUNT | |
|----------------------------|------------|---------------|------------|---------------|
| | HIGH SPEED | AVERAGE SPEED | HIGH SPEED | AVERAGE SPEED |
| Airflow | 5749 | 3742 | 5022 | 3246 |
| EnergyUse | 80.4 | 46 | 80.5 | 47 |
| EnergyCost | 23 | 13 | 23 | 13 |
| Efficiency | 72 | 81 | 62 | 70 |
| AMPS | 0.67 | 0.44 | 0.67 | 0.44 |
| RPMS | 170 | 112 | 169 | 112 |

AVERAGE PERFORMANCE AND ENERGY INFORMATION

ENERGYGUIDE

Estimated
Yearly Energy Cost

\$13

Cost Range of Similar Models (19" – 84")

\$3 | | | \$34

• Based on 12 cents per kWh and 6.4 hours use per day
• Your cost depends on rates and use
• Energy Use: 46 Watts

Airflow

3,742

Cubic Feet Per Minute

• The higher the airflow, the more air the fan will move
• Airflow Efficiency: 81 Cubic Feet Per Minute Per Watt

All estimates based on typical use, excluding lights ftc.gov/energy

Airflow Shown is a Weighted Average of High and Low Cubic Feet per Minute Based on Downrod

HINKLEY

HINKLEY
33000 Pin Oak Parkway
Avon Lake, OH 44012

PHONE: (440) 653-5500
Toll Free: 1 (800) 446-5539

hinkley.com