

# HIGHLAND WET

**904152FBN-NWA**

HIGHLAND WET 52" FAN

DETAILS	
FAN FINISH:	Brushed Nickel
BLADE COUNT:	5
SLOPE DEGREE:	20

DIMENSIONS	
WIDTH:	52"
HEIGHT:	13.5"
WEIGHT:	19.4lb

LIGHT SOURCE	
VOLTAGE:	120v

MOUNTING	
CANOPY:	6" Dia.
LEAD WIRE:	1 X 76"

SHIPPING	
CARTON LENGTH:	23.2
CARTON WIDTH:	14.6
CARTON HEIGHT:	10.3
CARTON WEIGHT:	21.7

HIGHLAND WET

## PRODUCT DETAILS:

- This item includes a 4.5" down rod. Other various lengths of down rods are available and sold separately to customize the installation height.
- Pull chain manual reverse, accessory controls available
- For more information on how to control your ceiling fan via the Hinkley Home Automation App, [click here](#).
- This item may be hung on a sloped ceiling
- Suitable for use in wet (outdoor direct rain) locations as defined by NEC and CEC. Meets United States UL Underwriters Laboratories & CSA Canadian Standards Association Product Safety Standards
- Accessory controls available that are compatible with your WiFi for the ultimate Smart Home connectivity
- The Regency Series features a range of traditional ceiling fans designed to enhance a wide variety of spaces with ease.
- Merging the best of traditional and modern elements with a sophisticated and streamlined look

# HINKLEY

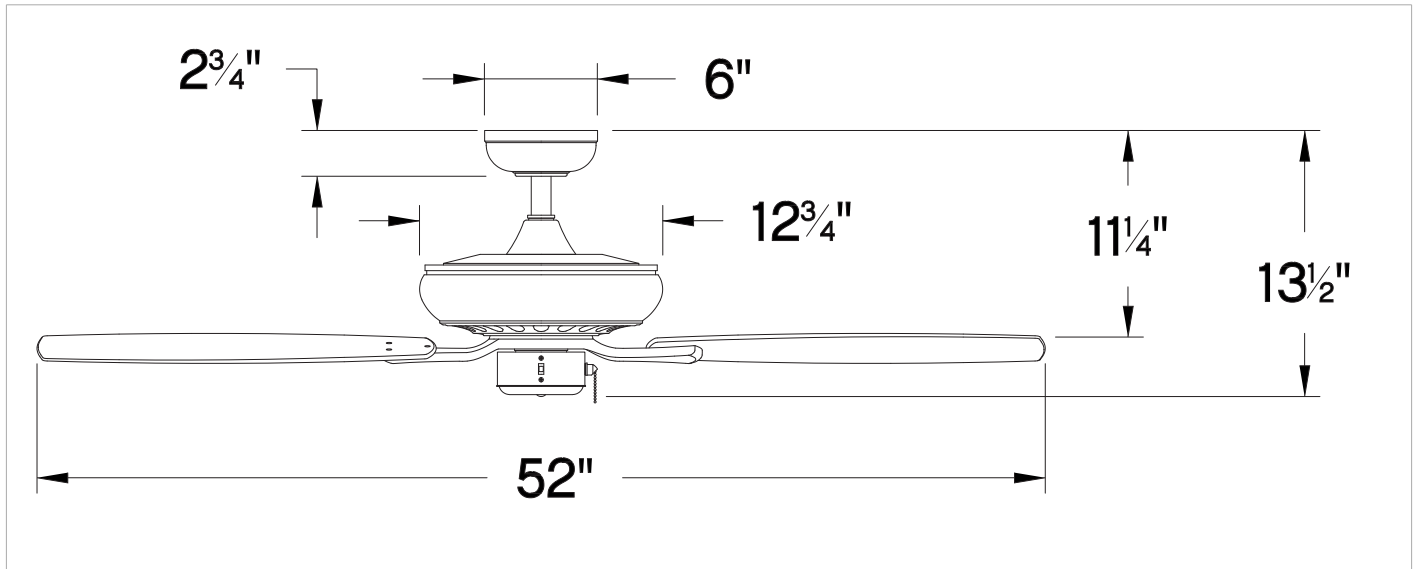
HINKLEY  
33000 Pin Oak Parkway  
Avon Lake, OH 44012

PHONE: (440) 653-5500  
Toll Free: 1 (800) 446-5539

[hinkley.com](http://hinkley.com)

# HIGHLAND WET 52" FAN

904152FBN-NWA



PERFORMANCE SPECIFICATIONS	STANDARD	
	HIGH SPEED	AVERAGE SPEED
Airflow	5107	3516
EnergyUse	61.3	37
EnergyCost	17	10
Efficiency	83	95
AMPS	0.51	0.36
RPMS	162	112

# HINKLEY

HINKLEY  
33000 Pin Oak Parkway  
Avon Lake, OH 44012

PHONE: (440) 653-5500  
Toll Free: 1 (800) 446-5539

[hinkley.com](http://hinkley.com)