

HIGHLAND ILLUMINATED

904152FMB-LIA

HIGHLAND 52" LED FAN



DETAILS	
FAN FINISH:	Matte Black
GLASS:	Etched
BLADE COUNT:	5
SLOPE DEGREE:	20

DIMENSIONS	
WIDTH:	52"
HEIGHT:	17.3"
WEIGHT:	20.1lb

LIGHT SOURCE	
LED NAME:	E901752LEDLMP
VOLTAGE:	120v
LUMENS:	1065
CRI:	90
INCANDESCENT EQUIVALENCY:	3 x 35w

MOUNTING	
CANOPY:	6" Dia.
LEAD WIRE:	1 X 76"

SHIPPING	
CARTON LENGTH:	23.2
CARTON WIDTH:	14.6
CARTON HEIGHT:	10.3
CARTON WEIGHT:	21.7

HIGHLAND ILLUMINATED

PRODUCT DETAILS:

- Suitable for use in dry (indoor) locations as defined by NEC and CEC. Meets United States UL Underwriters Laboratories & CSA Canadian Standards Association Product Safety Standards.
- This item includes a 4.5" down rod. Other various lengths of down rods are available and sold separately to customize the installation height.
- Pull chain manual reverse, accessory controls available
- For more information on how to control your ceiling fan via the Hinkley Home Automation App, [click here](#).
- This item may be hung on a sloped ceiling
- LED bulbs carry a 3-year limited warranty
- Accessory controls available that are compatible with your WiFi for the ultimate Smart Home connectivity
- Reversible blades included

HINKLEY

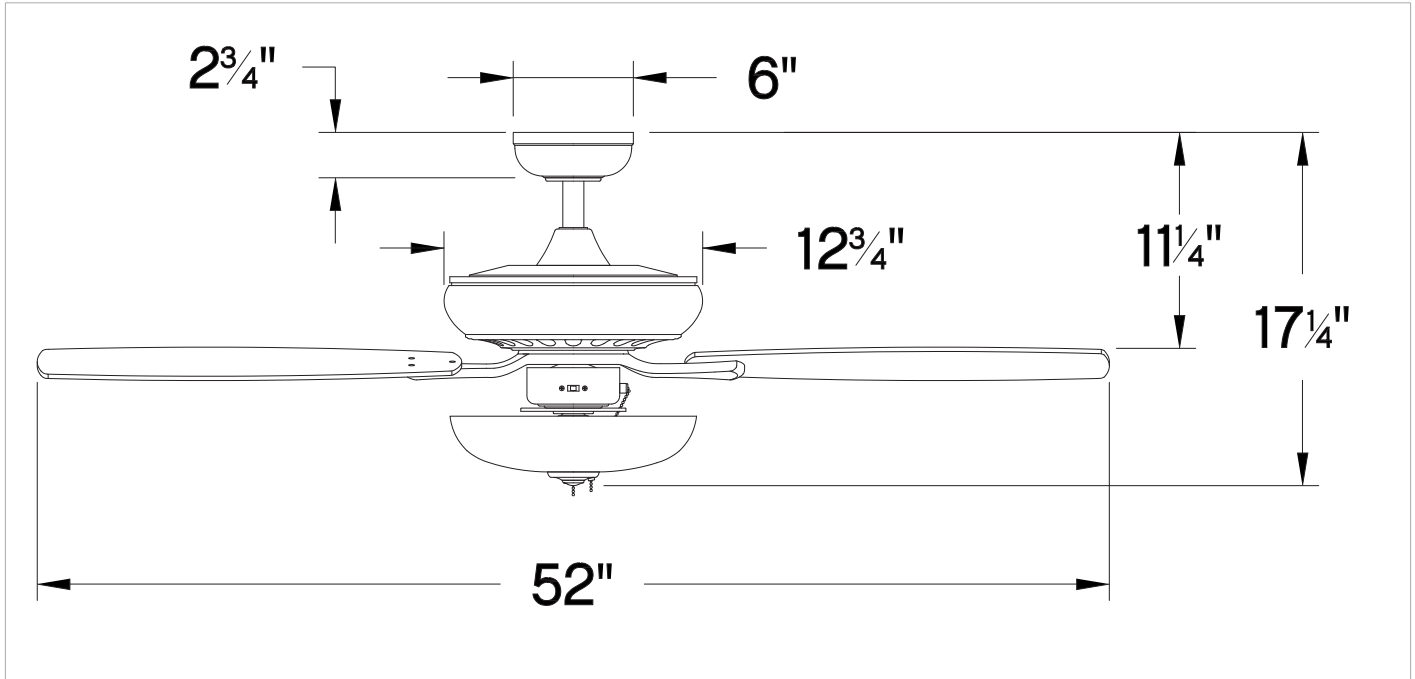
HINKLEY
33000 Pin Oak Parkway
Avon Lake, OH 44012

PHONE: (440) 653-5500
Toll Free: 1 (800) 446-5539

hinkley.com

HIGHLAND 52" LED FAN

904152FMB-LIA



PERFORMANCE SPECIFICATIONS	STANDARD	
	HIGH SPEED	AVERAGE SPEED
Airflow	5091	3668
EnergyUse	68.8	44
EnergyCost	19	12
Efficiency	74	83
AMPS	0.58	0.43
RPMS	157	112

AVERAGE PERFORMANCE AND ENERGY INFORMATION

ENERGYGUIDE

<p>Estimated Yearly Energy Cost</p> <h2 style="font-size: 2em;">\$12</h2> <p>Cost Range of Similar Models (19" – 84")</p> <p style="font-size: 0.8em;">\$3 \$34</p> <p style="font-size: 0.7em;">• Based on 12 cents per kWh and 6.4 hours use per day • Your cost depends on rates and use • Energy Use: 44 Watts</p>	<p>Airflow</p> <h2 style="font-size: 2em;">3,668</h2> <p>Cubic Feet Per Minute</p> <p style="font-size: 0.7em;">• The higher the airflow, the more air the fan will move • Airflow Efficiency: 83 Cubic Feet Per Minute Per Watt</p>
--	---

All estimates based on typical use, excluding lights ftc.gov/energy

Airflow Shown Is a Weighted Average of High and Low Cubic Feet per Minute Based on Downrod

HINKLEY

HINKLEY
 33000 Pin Oak Parkway
 Avon Lake, OH 44012

PHONE: (440) 653-5500
 Toll Free: 1 (800) 446-5539

hinkley.com