



HIGHLAND ILLUMINATED

**PRODUCT DETAILS:**

- Suitable for use in dry (indoor) locations as defined by NEC and CEC. Meets United States UL Underwriters Laboratories & CSA Canadian Standards Association Product Safety Standards.
- This item includes a 4.5" down rod. Other various lengths of down rods are available and sold separately to customize the installation height.
- Pull chain manual reverse, accessory controls available
- For more information on how to control your ceiling fan via the Hinkley Home Automation App, [click here](#).
- This item may be hung on a sloped ceiling
- LED bulbs carry a 3-year limited warranty
- Accessory controls available that are compatible with your WiFi for the ultimate Smart Home connectivity
- Reversible blades included

# HIGHLAND ILLUMINATED

**904152FMM-LIA**

HIGHLAND 52" LED FAN

DETAILS	
FAN FINISH:	Metallic Matte Bronze
GLASS:	Etched
BLADE COUNT:	5
SLOPE DEGREE:	20

DIMENSIONS	
WIDTH:	52"
HEIGHT:	17.3"
WEIGHT:	20.1lb

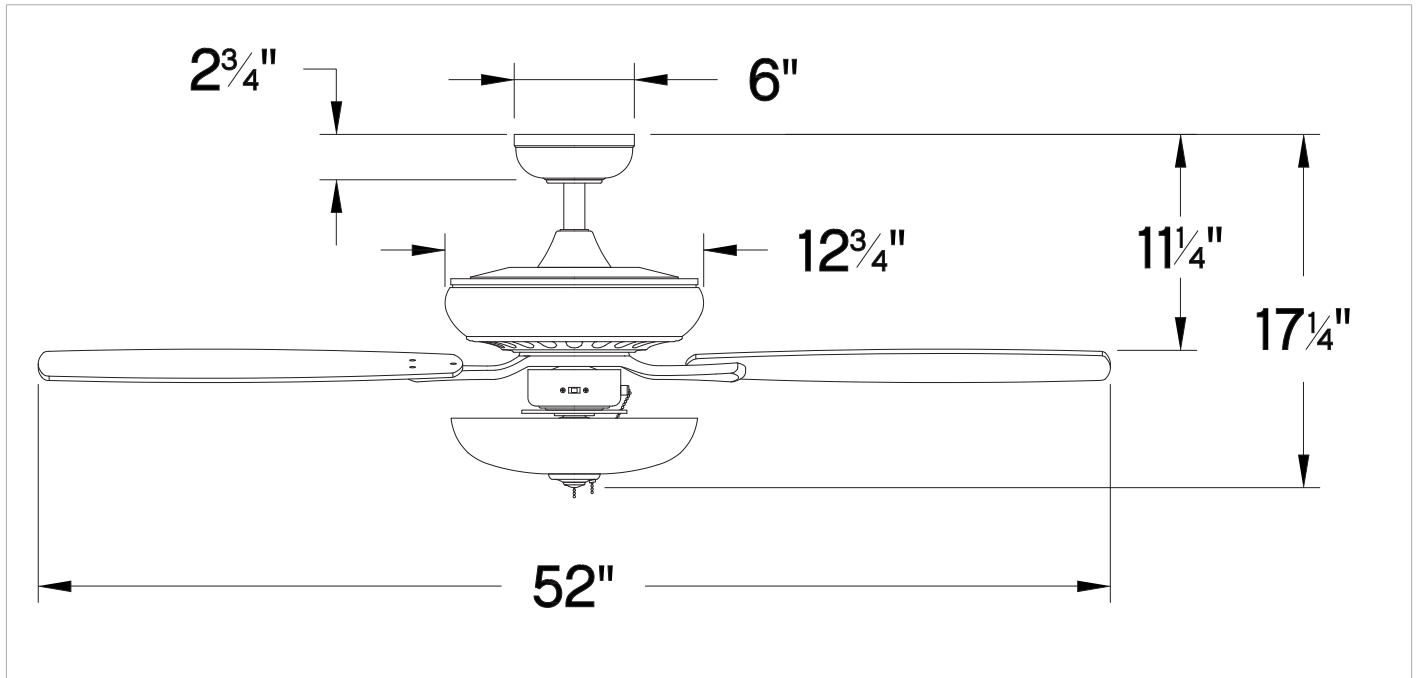
LIGHT SOURCE	
LED NAME:	E901752LEDLMP
VOLTAGE:	120v
LUMENS:	1065
CRI:	90
INCANDESCENT EQUIVALENCY:	3 x 35w

MOUNTING	
CANOPY:	6" Dia.
LEAD WIRE:	1 X 76"

SHIPPING	
CARTON LENGTH:	23.2
CARTON WIDTH:	14.6
CARTON HEIGHT:	10.3
CARTON WEIGHT:	21.7

# HIGHLAND 52" LED FAN

904152FMM-LIA



PERFORMANCE SPECIFICATIONS	STANDARD	
	HIGH SPEED	AVERAGE SPEED
Airflow	5091	3668
EnergyUse	68.8	44
EnergyCost	19	12
Efficiency	74	83
AMPS	0.58	0.43
RPMS	157	112

## AVERAGE PERFORMANCE AND ENERGY INFORMATION

### ENERGYGUIDE

<p>Estimated Yearly Energy Cost</p> <h2 style="font-size: 2em;">\$12</h2> <p>Cost Range of Similar Models (19" – 84")</p> <p style="font-size: 1.2em;">\$3       \$34</p> <p><small>• Based on 12 cents per kWh and 6.4 hours use per day • Your cost depends on rates and use • Energy Use: 44 Watts</small></p>	<p>Airflow</p> <h2 style="font-size: 2em;">3,668</h2> <p>Cubic Feet Per Minute</p> <p><small>• The higher the airflow, the more air the fan will move • Airflow Efficiency: 83 Cubic Feet Per Minute Per Watt</small></p>
---	---

All estimates based on typical use, excluding lights ftc.gov/energy

Airflow Shown is a Weighted Average of High and Low Cubic Feet per Minute Based on Downrod

# HINKLEY

HINKLEY  
33000 Pin Oak Parkway  
Avon Lake, OH 44012

PHONE: (440) 653-5500  
Toll Free: 1 (800) 446-5539

hinkley.com