



HIGHLAND

904152FMM-NIA

HIGHLAND 52" FAN

DETAILS	
FAN FINISH:	Metallic Matte Bronze
BLADE COUNT:	5
SLOPE DEGREE:	20

DIMENSIONS	
WIDTH:	52"
HEIGHT:	13.5"
WEIGHT:	17.6lb

LIGHT SOURCE	
VOLTAGE:	120v

MOUNTING	
CANOPY:	6" Dia.
LEAD WIRE:	1 X 76"

SHIPPING	
CARTON LENGTH:	23.2
CARTON WIDTH:	14.6
CARTON HEIGHT:	10.3
CARTON WEIGHT:	21.7

HIGHLAND

PRODUCT DETAILS:

- Suitable for use in dry (indoor) locations as defined by NEC and CEC. Meets United States UL Underwriters Laboratories & CSA Canadian Standards Association Product Safety Standards.
- This item includes a 4.5" down rod. Other various lengths of down rods are available and sold separately to customize the installation height.
- Pull chain manual reverse, accessory controls available
- For more information on how to control your ceiling fan via the Hinkley Home Automation App, [click here](#).
- This item may be hung on a sloped ceiling
- Accessory controls available that are compatible with your WiFi for the ultimate Smart Home connectivity
- Reversible blades included
- The Regency Series features a range of traditional ceiling fans designed to enhance a wide variety of spaces with ease.

HINKLEY

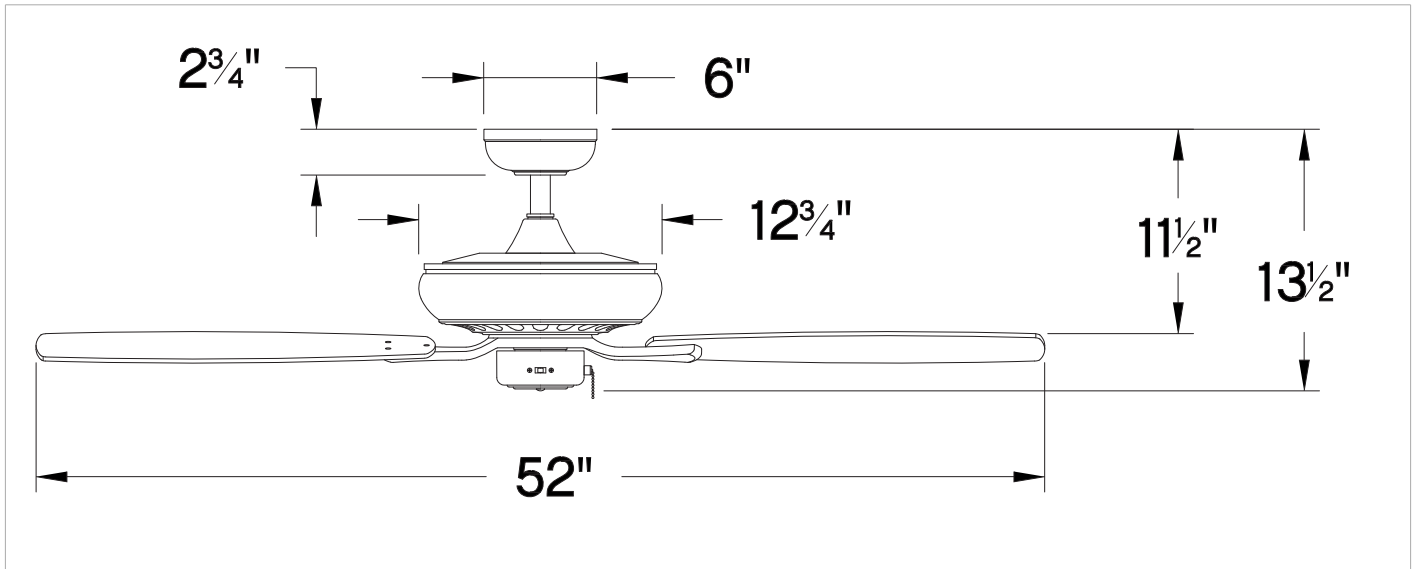
HINKLEY
33000 Pin Oak Parkway
Avon Lake, OH 44012

PHONE: (440) 653-5500
Toll Free: 1 (800) 446-5539

hinkley.com

HIGHLAND 52" FAN

904152FMM-NIA



PERFORMANCE SPECIFICATIONS	STANDARD	
	HIGH SPEED	AVERAGE SPEED
Airflow	5136	3721
EnergyUse	68.7	44
EnergyCost	19	12
Efficiency	75	85
AMPS	0.58	0.43
RPMS	157	112

AVERAGE PERFORMANCE AND ENERGY INFORMATION

ENERGYGUIDE

<p>Estimated Yearly Energy Cost</p> <h2 style="font-size: 2em;">\$12</h2> <p>Cost Range of Similar Models (19" – 84")</p> <p style="font-size: 0.8em;">• Based on 12 cents per kWh and 6.4 hours use per day • Your cost depends on rates and use • Energy Use: 44 Watts</p>	<p>Airflow</p> <h2 style="font-size: 2em;">3,721</h2> <p>Cubic Feet Per Minute</p> <p style="font-size: 0.8em;">• The higher the airflow, the more air the fan will move • Airflow Efficiency: 85 Cubic Feet Per Minute Per Watt</p>
--	--

All estimates based on typical use, excluding lights ftc.gov/energy

Airflow Shown is a Weighted Average of High and Low Cubic Feet per Minute Based on Downrod

HINKLEY

HINKLEY
33000 Pin Oak Parkway
Avon Lake, OH 44012

PHONE: (440) 653-5500
Toll Free: 1 (800) 446-5539

hinkley.com