

# HIGHLAND

**904160FMM-NIA**

HIGHLAND 60" FAN

## DETAILS

FAN FINISH:	Metallic Matte Bronze
BLADE COUNT:	5
SLOPE DEGREE:	20

## DIMENSIONS

WIDTH:	60"
HEIGHT:	13.5"
WEIGHT:	22.7lb

## LIGHT SOURCE

VOLTAGE:	120v
----------	------

## MOUNTING

CANOPY:	6" Dia.
LEAD WIRE:	1 X 76"

## SHIPPING

CARTON LENGTH:	25.9
CARTON WIDTH:	14.6
CARTON HEIGHT:	10.3
CARTON WEIGHT:	28.2



HIGHLAND

### PRODUCT DETAILS:

- Suitable for use in dry (indoor) locations as defined by NEC and CEC. Meets United States UL Underwriters Laboratories & CSA Canadian Standards Association Product Safety Standards.
- This item includes a 4.5" down rod. Other various lengths of down rods are available and sold separately to customize the installation height.
- Pull chain manual reverse, accessory controls available
- For more information on how to control your ceiling fan via the Hinkley Home Automation App, [click here](#).
- This item may be hung on a sloped ceiling
- Accessory controls available that are compatible with your WiFi for the ultimate Smart Home connectivity
- Reversible blades included
- The Regency Series features a range of traditional ceiling fans designed to enhance a wide variety of spaces with ease.

# HINKLEY

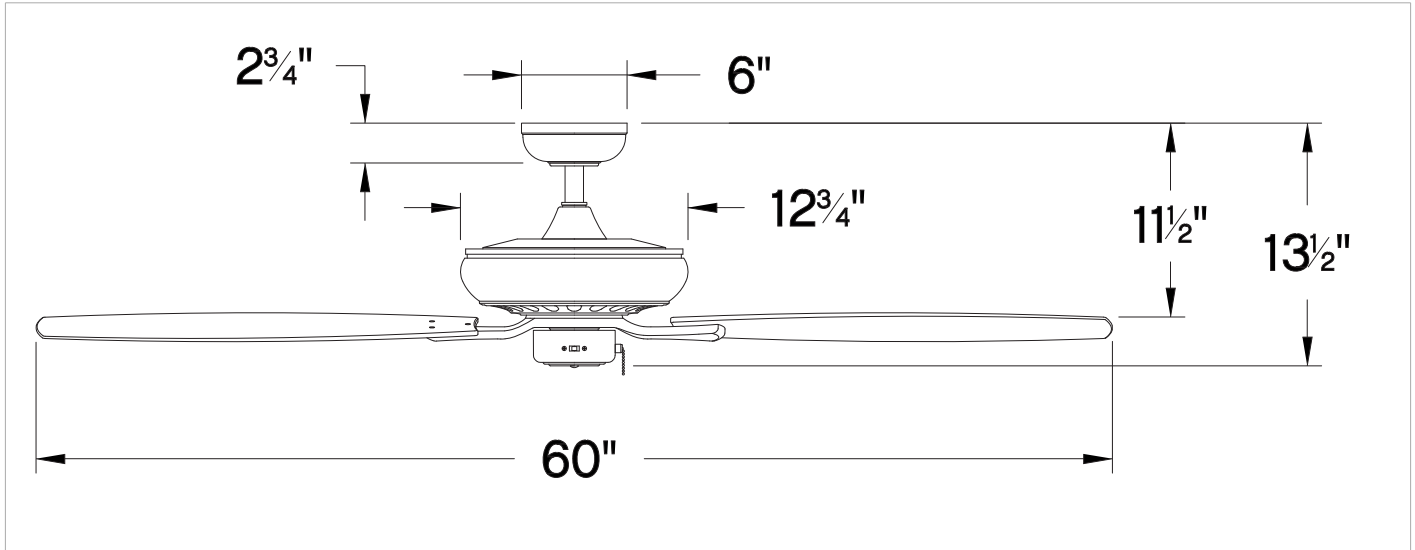
HINKLEY  
33000 Pin Oak Parkway  
Avon Lake, OH 44012

PHONE: (440) 653-5500  
Toll Free: 1 (800) 446-5539

[hinkley.com](http://hinkley.com)

# HIGHLAND 60" FAN

904160FMM-NIA



PERFORMANCE SPECIFICATIONS	STANDARD	
	HIGH SPEED	AVERAGE SPEED
Airflow	5982	4077
EnergyUse	84.3	51
EnergyCost	24	14
Efficiency	71	80
AMPS	0.71	0.49
RPMS	114	78

## AVERAGE PERFORMANCE AND ENERGY INFORMATION

### ENERGYGUIDE

<p>Estimated Yearly Energy Cost</p> <h2 style="font-size: 2em;">\$14</h2> <p>Cost Range of Similar Models (19" – 84")</p> <p style="font-size: 0.8em;">\$3       \$34</p> <p style="font-size: 0.7em;">• Based on 12 cents per kWh and 6.4 hours use per day • Your cost depends on rates and use • Energy Use: 51 Watts</p>	<p>Airflow</p> <h2 style="font-size: 2em;">4,077</h2> <p>Cubic Feet Per Minute</p> <p style="font-size: 0.7em;">• The higher the airflow, the more air the fan will move • Airflow Efficiency: 80 Cubic Feet Per Minute Per Watt</p>
--	--

All estimates based on typical use, excluding lights ftc.gov/energy

Airflow Shown Is a Weighted Average of High and Low Cubic Feet per Minute Based on Downrod

# HINKLEY

HINKLEY  
33000 Pin Oak Parkway  
Avon Lake, OH 44012

PHONE: (440) 653-5500  
Toll Free: 1 (800) 446-5539

hinkley.com